

**ANNEXURE-XIII  
INSTRUCTION FOR USE  
(TLF/LML/004)**

IFU No.	: IFU/LML/004
Date	: 25/10/2025
Revision. No.:	10

**1.0 INSTRUCTION FOR USE:**

**1.1 PRODUCT FAMILY: Sterile Hypodermic Safety Syringe-Needle Retractable for single use** (1mL, 2mL, 2.5mL, 3mL, 5mL, 10mL and 20mL) with needle sizes (16G, 18G, 19G, 20G, 21G, 22G, 23G, 24G, 25G, 26G, 27G, 28G, 29G & 30G).

**1.2 BASIC UDI:** 890615878LML004M2

**1.3 MATERIAL USED:** Polypropylene, Isoprene, Poly Oximethylene (POM) and Stainless Steel (304).

**1.4 DEVICE DESCRIPTION:** A Safety syringe is a simply consisting of a plunger/piston & gasket that's fits tightly within a cylindrical tube called a barrel. The piston can be linearly pulled and pushed along the inside of the tube/barrel, allowing the syringe to take-in and expel liquid or gas through a discharge orifice/nozzle/barrel tip at the front (open) end of the tube/barrel. The open end of the syringe may be fitted with a hypodermic needle, this needle simple consisting of a female conical fitting called hub (for appropriate fitting with syringe nozzle) & needle holder which was fitted inside the hub with holding a stainless steel capillary tube called needle tube & inter connected by glue/adhesive to ensure any type of leakage with holder.

During completely administration of the drugs (contents) through safety syringe, the Re-use prevention (RUP) feature activated automatically as well as when safety syringe plunger is pressed to expel the contents the base of the plunger attached with the needle holder. Pulling back on the plunger will cause the needle to retract into the barrel of the syringe.

**1.5 INTENDED USE:** Sterile hypodermic safety syringes for single use- needle retractable is intended for medical purposes to inject fluids into or withdraw fluids from the body.

Sterile hypodermic safety syringes for single use- Needle Retractable, used for all individuals (newborn to adults to old age), for injection/withdrawal of fluids (e.g., medication) to/from a medical device or the body (i.e., capable of both). The device shall be used by qualified trained medical staff.

**1.6 INDICATION FOR USE:** Sterile hypodermic safety syringe for single use- Needle Retractable is intended to be used for medical purpose to inject fluids into or withdraw fluids from the body. Needle retractable safety syringe is also intended to prevent the needle stick injuries. Needle retractable safety syringe is not intended to be used for withdrawing blood. In addition, when the syringe user breaks the plunger, reuse of the syringe is prevented.

**1.7 INTENDED USER:** Sterile hypodermic safety syringes for single use- Needle Retractable to be used for all individuals (newborn to adults to old age) for injection/withdrawal of fluids (e.g.,

**ANNEXURE-XIII  
INSTRUCTION FOR USE  
(TLF/LML/004)**

---

medication) to/from a medical device or the body (i.e., capable of both). The medical device shall be used by qualified trained medical staff, such as Doctor/Registered Practitioner or Paramedical staff.

**1.8 PATIENT POPULATION:** Sterile hypodermic safety syringes for single use- Needle Retractable, can be used for all individuals; (newborn to adults to old age) for injection/withdrawal of fluids (e.g., medication) to/from a medical device or the body (i.e., capable of both). The medical device shall be used by qualified and trained medical staff. The selection of hypodermic single use safety syringes for usage on patients is dependent on combination of patient age, physical condition and medication requirements.

**1.9 CONTRAINDICATIONS:**

- 1.9.1 Device must not be used other than as indicated in intended use.
- 1.9.2 Device should not be used for administration of blood and blood components.
- 1.9.3 Device should not be used for large volume fluids and fluids derivatives.
- 1.9.4 Device should not be used for administration of high viscous fluids.
- 1.9.5 Device should not be used on patients with known hypersensitive to device material.

**1.10  CAUTION:**

- 1.10.1 Device is single use only.
- 1.10.2 Device must not be reused. Reuse of the device may cause serious infection, cross contamination, transmission of bacteria, viruses and blood related transfusion of serious diseases.
- 1.10.3 Ensure before use that device/packing is not tempered or damage.
- 1.10.4 Device for manual use only.

**1.11 DISCLAIMER:**

- 1.11.1 The Medical device is supplied with limited functionality, Lifelong Meditech does not warrant any foreseeable risk resulting from improper/ misuse of the medical device.
- 1.11.2 Device should not be used out of its indications/instructions for use. In-case the device is used out of its instructions described, the manufacturer/supplier must be informed for any usage outside of its recommendations.

**1.12 INSTRUCTION FOR USE:**

- 1.12.1 Inspect the package for integrity, expiry and then remove the syringe from package.
- 1.12.2 Be careful to pull the needle cap straight off to avoid the needle point damage.

**ANNEXURE-XIII  
INSTRUCTION FOR USE  
(TLF/LML/004)**

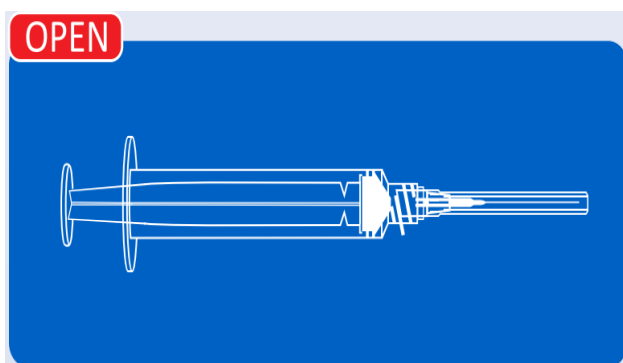
---

1.12.3 Push and twist the needle clock wise on the syringe tip to seal it firmly and ensure a tight fitting.

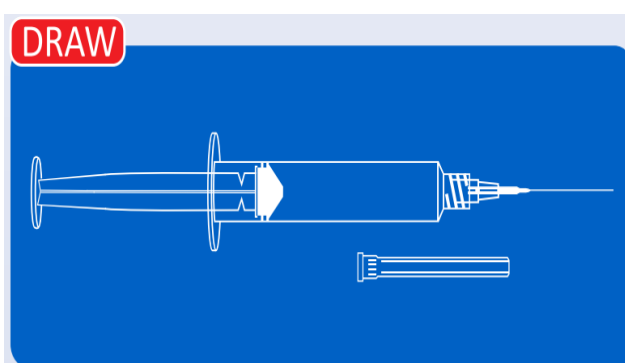
1.12.4 Take the medicinal fluids.

1.12.5 Expel the air bubble through open end before injection.

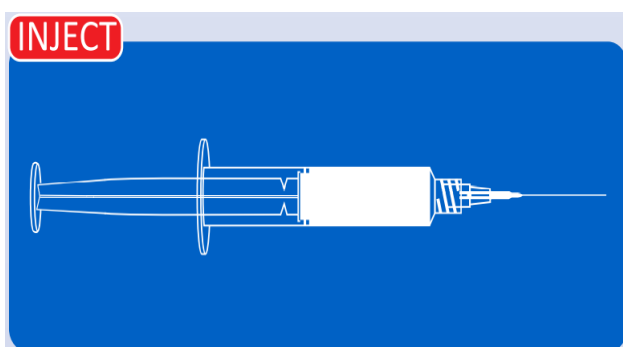
1.12.6 To avoid the re-use and needle stick injury, the product should be used under the following steps:



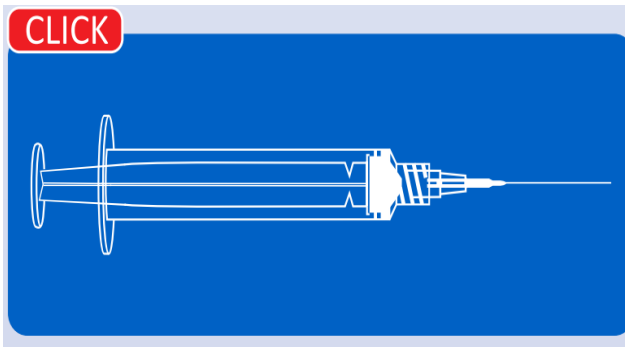
**Step- 1 :** Retractable Safety Syringe as packaged. Do not push the plunger before filling the syringe.



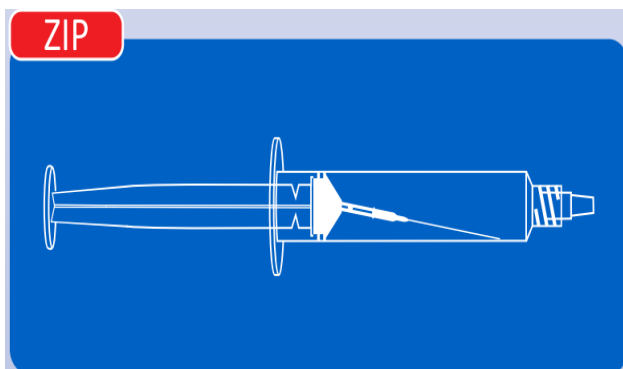
**Step- 2 :** Draw the medication to be administered into the syringe following slandered aseptic procedure.



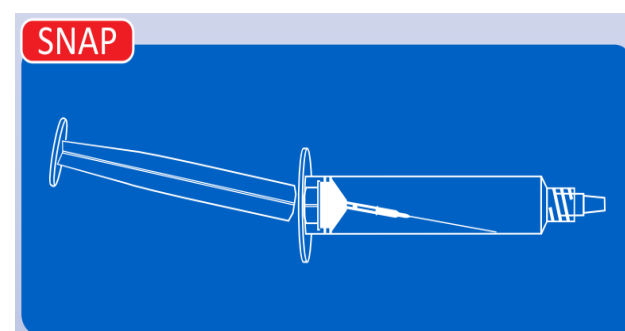
**Step- 3 :** Inject the medication by pushing the plunger.



**Step- 4 :** After completing the injection, push the plunger right down in order to activate the safely mechanism. You will hear a Click.



**Step- 5 :** Draw the plunger right back. The needle will enter the syringe and slip to one side.



**Step- 6 :** Once the needle has been retracted into the syringe, snap the plunger along the incisions. The needle is now protected and the syringe cannot be reused. Dispose the syringe in the relative waste sharp container.

1.12.7 Device is single use only. Do not re-sterile. Safety syringe should be discarded after one procedure. It's extremely difficult to clean exactly after being expressed to biological

**ANNEXURE-XIII  
INSTRUCTION FOR USE  
(TLF/LML/004)**

materials and may causes adverse patient reactions if reuse. The cleaning of these devices may alter their structural property accordingly, Lifelong Meditech will not be responsible for direct incidental and consecution damages resulting for reuse.

**1.13 STORAGE OF THE DEVICE:** Store in a clean, dry and ventilated area at 0°C to 30°C. Avoid direct sunlight and extreme heat sources.

**1.14 SELF LIFE OF THE DEVICE:** 05 Years from the manufacturing date.











**1.15 DISPOSAL METHOD:** Used medical device is considered as biohazard waste. Dispose-off the used medical device in accordance with hospital, administrative and/or local government policy.

**1.16 ADVERSE EVENT:** The device is supplied with limited functionality, and there is no foreseeable risk associated with the device usage. Consequences from the improper use may cause or lead to redness, swelling, bruising etc.

















**1.17** For any feedback or query, customer/user can write or reach to us at:


**Email-** [lmicustomercare@lifelongindia.com](mailto:lmicustomercare@lifelongindia.com) or Customer Care No: +91-124-2330124

**1.18 LABEL INFORMATIONS: -**

Symbol	Description
	Device to be sale on order/prescription of a Physician /Doctor/ Paramedical staff only
	Catalogue Number
	Lot Number: Batch Number
	Expiry date: Device can be used until the end of the month indicated
	Sterilization with ethylene oxide gas
	Single use only
	Manufacturer
	Caution
	Conformité Européenne ( <b>CE marking</b> is a mandatory conformity marking for certain devices sold within the European Economic Area)
	Do Not Re-sterilize

**ANNEXURE-XIII  
INSTRUCTION FOR USE  
(TLF/LML/004)**

	Non-Pyrogenic
	Do not use if package is damaged
	Keep dry
	Keep Away from sunlight
	Date of manufacture
	Authorized Representative
	Consult Instruction for Use
	Reuse prevention (Applicable for safety syringe only)
	Safe disposal of syringe
	Do not use hook
	Store and stack in upright condition
	Fragile, handle with care
	Unique device identifier
	Single sterile barrier system (For primary package only)
	Medical device
	Country of manufacture

 **Lifelong Meditech Private Limited,**  
Mustkil No. 136, Main Pataudi Road, Village-  
Patli Hazipur, Gurgaon, Haryana-122506,  
Mfg. License No. MFG/MD/2019/000203  
[lmcustomercare@lifelongindia.com](mailto:lmcustomercare@lifelongindia.com)  
Customer Care No: +91-124-2330124

 **MED DEVICES LIFESCIENCES B.V.**  
Keizersgracht 482 1017 EG Amsterdam,  
The Netherlands  
Tel : +31 202254558  
Email: [info@meddevices.net](mailto:info@meddevices.net)